

SHOP DRAWING NAME

TYPICAL

PROJECT

ENCLOSURE - A

GENERAL CONTRACTOR

EQUIPMENT SUPPLIED BY:

TYPICAL

SPECIFICATIONS

2 LANDING  
 VERTICAL LIFT  
 L-96

CAR 38 1/4"Dx60"Wx42"H  
 CODE(S) 3,6  
 CAPACITY 750 LBS. AT 10 F.P.M.

- ALL DOORS MUST BE INTERLOCKED
- KEYSWITCH OPERATION
- STATIONARY RAMP
- LANDING GATE w/ INTERLOCK
- PLATFORM GATE WITH INTERLOCK
- EMERGENCY ALARM
- EMERGENCY STOP
- MANUAL LOWERING
- INSTANT REVERSE
- LIMIT SWITCHES
- ENCLOSURE DOOR BY INCOA
- ENCLOSURE WALL BY INCOA
- DIAPHRAGM
- EMERGENCY POWER SUPPLY FOR PLATFORM LIGHT, ALARM AND GATE LOCKS

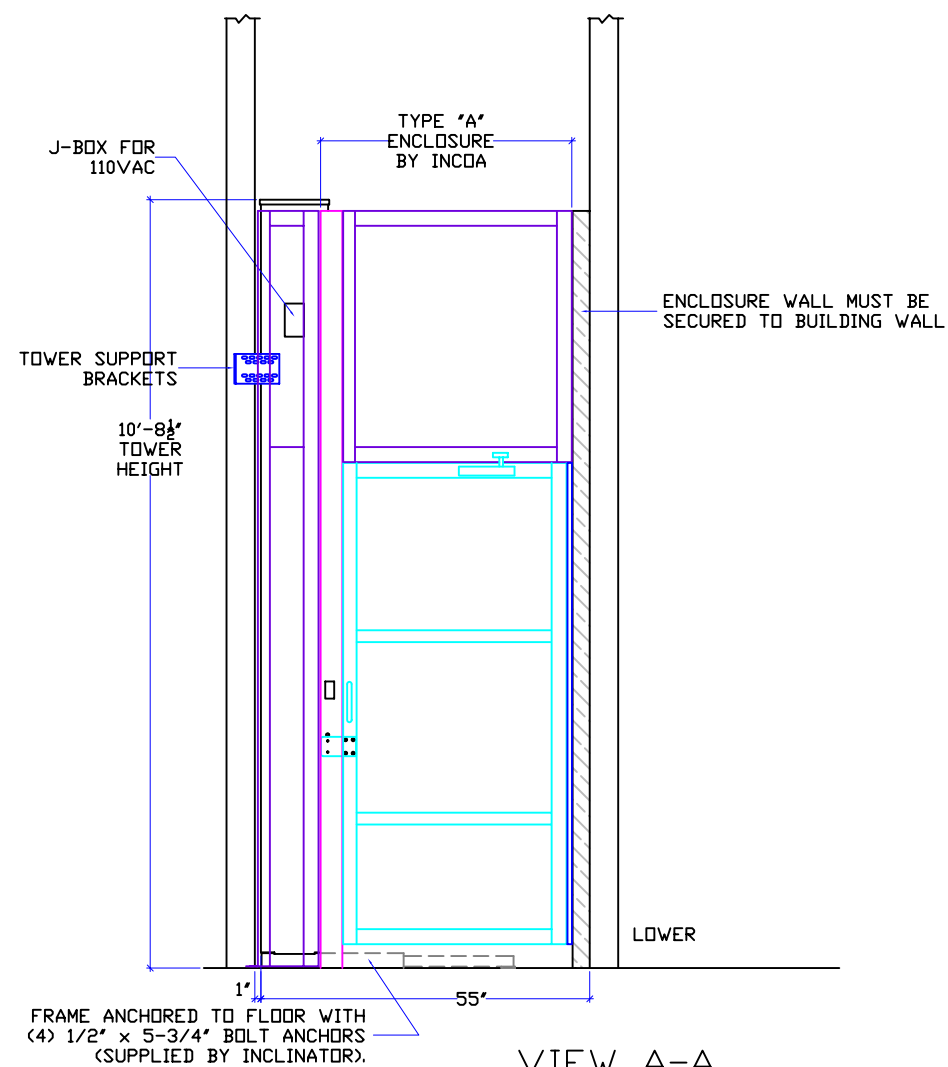
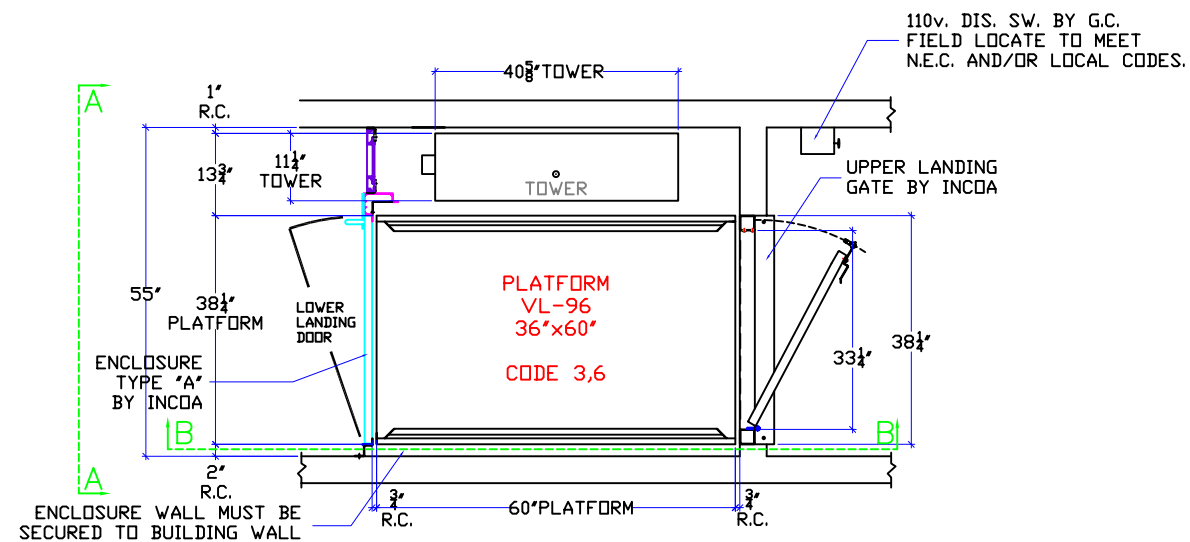
NOTICE TO ELECTRICAL CONTRACTOR:  
 INSTALL 110v. DIS. SW. TYPE OUTLET  
 1 H.P. MOTOR 120v. SINGLE PHASE  
 60 CYCLE  
 20 AMP MAIN LINE FUSE

NOTE: ALL HOISTWAY CONSTRUCTION MUST COMPLY WITH NATIONAL, STATE, AND LOCAL CODES. PLEASE ADVISE INCOA OF ANY CHANGES NEEDED TO THE DRAWING FOR COMPLIANCE IN YOUR AREA.

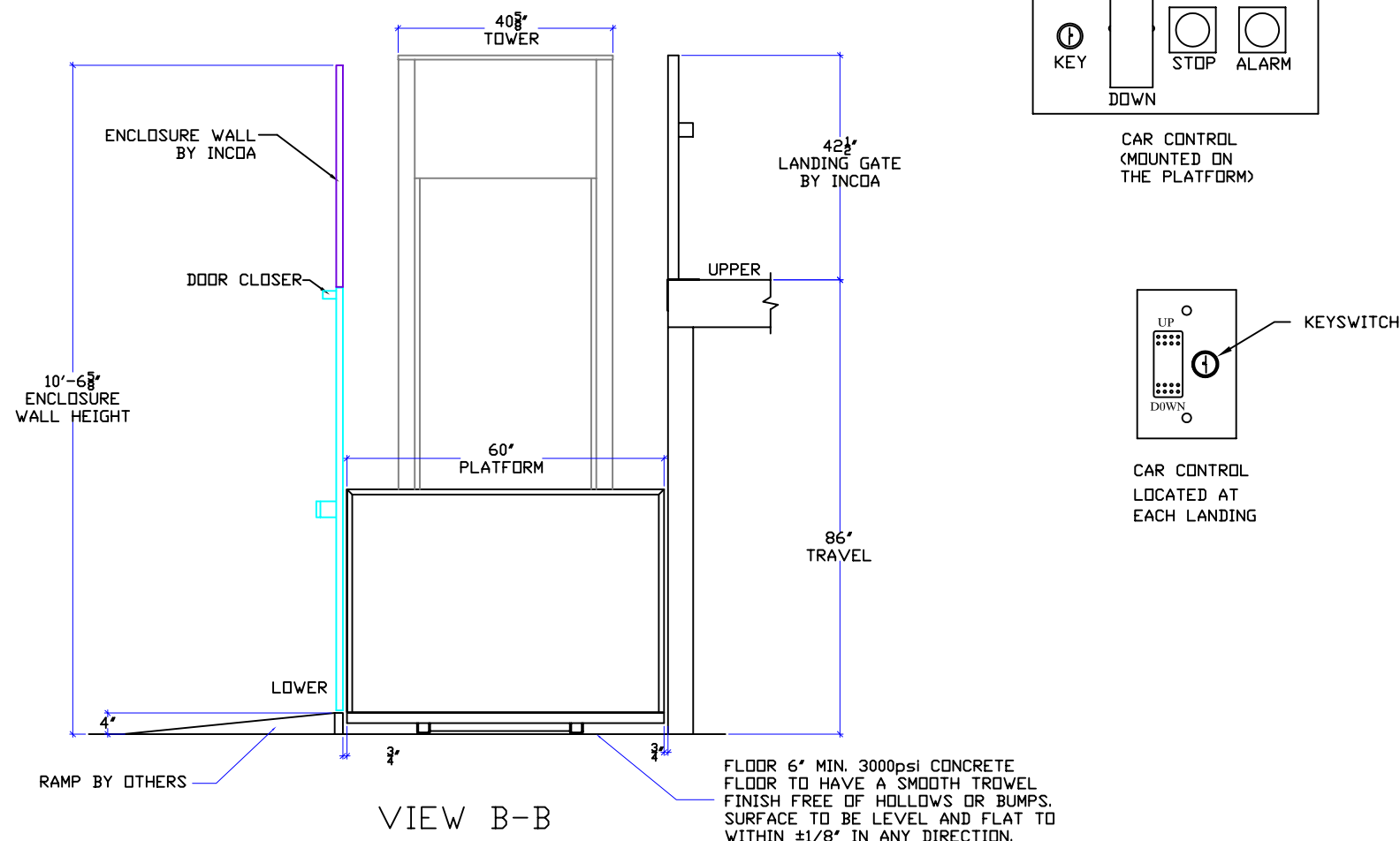
INCOA JOB # -  
 DEALER P.O. # -  
 DRAWING BY: J.PETTYJOHN  
 DATE: 02/21/2008  
 REVISED: -

DRAWING IDENTIFICATION NUMBER

XXXXX



VIEW A-A



VIEW B-B

