

**GENERAL**

CLASSIFICATION: STAIR LIFT  
 MODEL: SL1000  
 CAPACITY: 158 kg [350 Lb]  
 SPEED: 0.1 m/sec [20'/min]  
 POWER SUPPLY: 110V,15A,60HZ,SINGLE PHASE  
 MOTOR: 1/2 HP-24 VDC / 110V AC CHARGER  
 DRIVE SYSTEM: RACK AND PINION  
 CONTROLLER

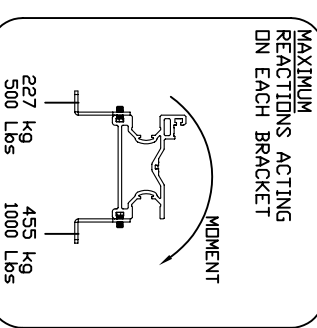
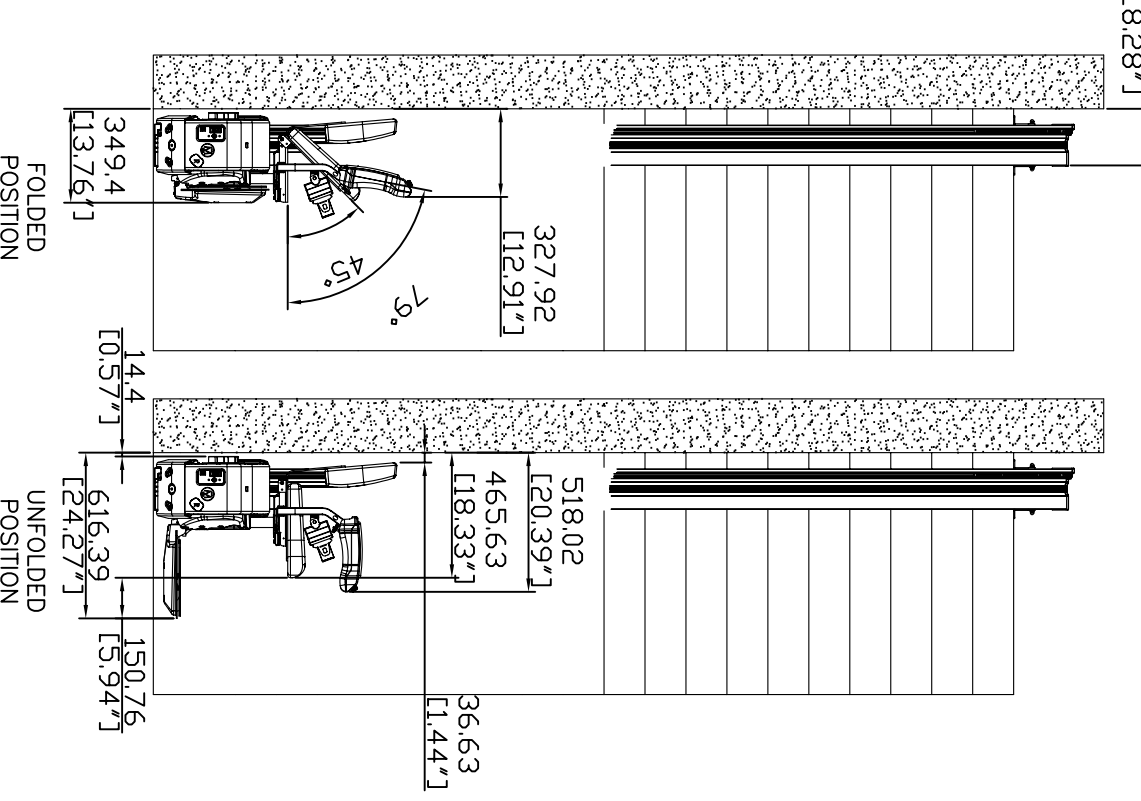
MODEL: MS125  
 TYPE: CPFS  
 C UL us#: 20090909-SA12702  
 CONTROL VOLTS: 24VDC  
 MFR: CONTROLLED SPEED ENGINEERING LTD

**ANCHORING**  
 WOODEN TREAD:  
 ANCHOR EACH BRACKET SET USING  
 A MINIMUM OF 4X Ø1/4 X 2"  
 WOOD SCREW  
 REINFORCED CONCRETE  
 ANCHOR EACH BRACKET SET USING  
 A MINIMUM OF 4X SLEEVE ANCHORS 1/4-2"  
 METAL PLATE / BLOCK  
 ANCHOR EACH BRACKET SET USING  
 A MINIMUM OF 4X TRHU BOLT 1/4"  
 BRACKET POSITION:  
 WITHIN 18 INCHES (457) OF EACH END  
 OF EACH SECTION OF TRACK  
 IN THE CENTER OF EVERY SECTION  
 OF TRACK LONGER THAN 4 FEET  
 SUPPORT LOAD DIAGRAM

**PUBLIC PACKAGE INCLUDES:**

- KEYED SURFACE MOUNT CALL STATION
- OVERSPEED GOVERNOR
- EMERGENCY STOP WITH ALARM
- IN USE LIGHT AND ALARM (ONTARIO ONLY)
- 2252 ON/OFF KEY
- FOLDING ARM SWITCHES

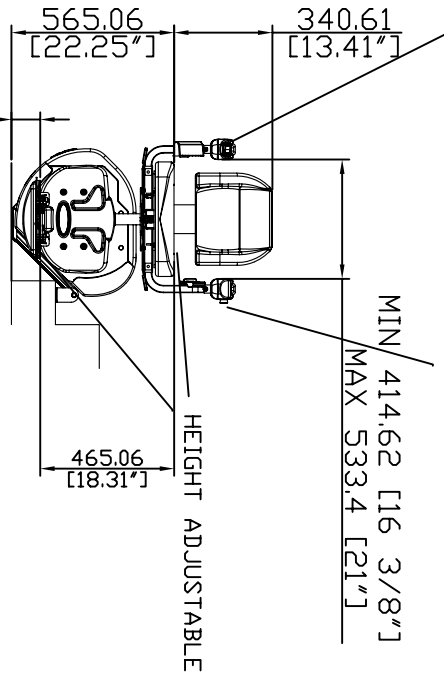
210.4  
[8.28"]



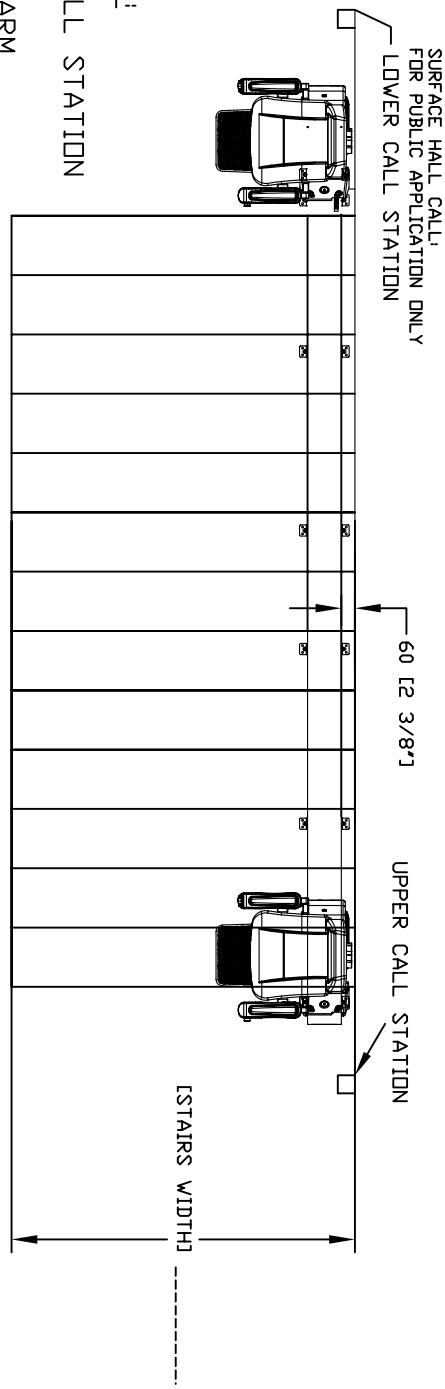
**OPTIONS**

SIDE OF INSTALLATION: LEFT  RIGHT   
 QTY OF RAIL SECTION: ----- (94" EACH)  
 PUBLIC PACKAGE: YES

EMERGENCY STOP & OPERATION KEY (PUBLIC APPLICATION)



SL1000



LH SHOWN

CUSTOMER:	DATE:	Part No.	SL1000
PROJECT:	REVISION DATE:	Variant No.	N/A
ADDRESS:	COMPLETED BY:	Savarida	
	ALEX B	JOB No.	
		SHEET No.	1 OF 1