

SHOP DRAWING NAME

TYPICAL
 PROJECT
ENCLOSURE - B
 GENERAL CONTRACTOR

EQUIPMENT SUPPLIED BY:
 TYPICAL

SPECIFICATIONS

2 LANDING
VERTICAL LIFT
 L-96

CAR 38 1/4"Dx48"Wx42"H CODE(S) 5
 CAPACITY 750 LBS. AT 10 F.P.M.

- ALL DOORS MUST BE INTERLOCKED
- KEYSWITCH OPERATION
- 12 VOLT DC POWER
- AUTO FOLD RAMP
- STATIONARY RAMP
- LANDING GATE w/ INTERLOCK
- PLATFORM GATE WITH INTERLOCK
- EMERGENCY ALARM
- EMERGENCY STOP
- MANUAL LOWERING
- PLATFORM SAFETY MECHANISM
- INSTANT REVERSE
- LIMIT SWITCHES
- ENCLOSURE DOOR BY INCOA
- ENCLOSURE WALL BY INCOA
- EMERGENCY POWER SUPPLY FOR PLATFORM LIGHT, ALARM AND GATE LOCKS

NOTICE TO ELECTRICAL CONTRACTOR:
 INSTALL 110v. DIS. SW. TYPE OUTLET

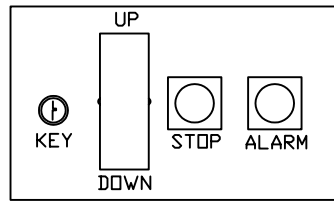
1 H.P. MOTOR 120v. SINGLE PHASE
 60 CYCLE
 20 AMP MAIN LINE FUSE

NOTE: ALL HOISTWAY CONSTRUCTION MUST COMPLY WITH NATIONAL, STATE, AND LOCAL CODES. PLEASE ADVISE INCOA OF ANY CHANGES NEEDED TO THE DRAWING FOR COMPLIANCE IN YOUR AREA.

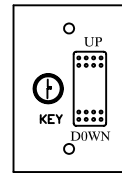
INCOA JOB # -
 DEALER P.O. # -
 DRAWING BY: J.PETTYJOHN
 DATE: 02/21/2008

DRAWING IDENTIFICATION NUMBER

XXXXX



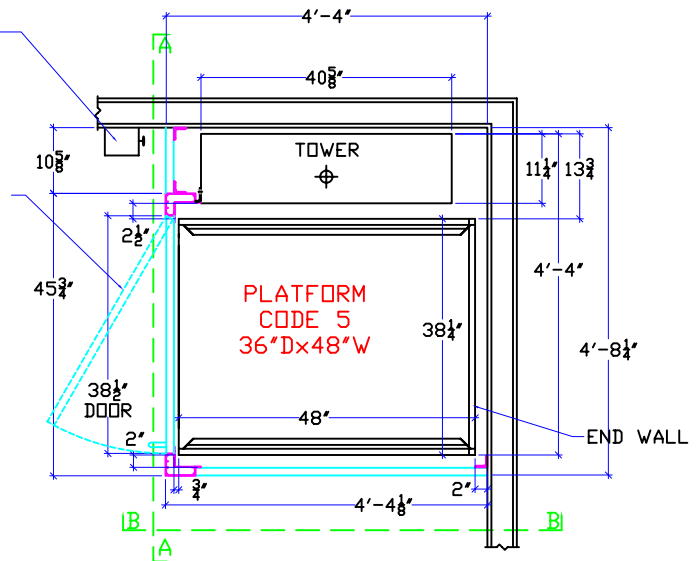
CAR CONTROL (MOUNTED ON THE PLATFORM)



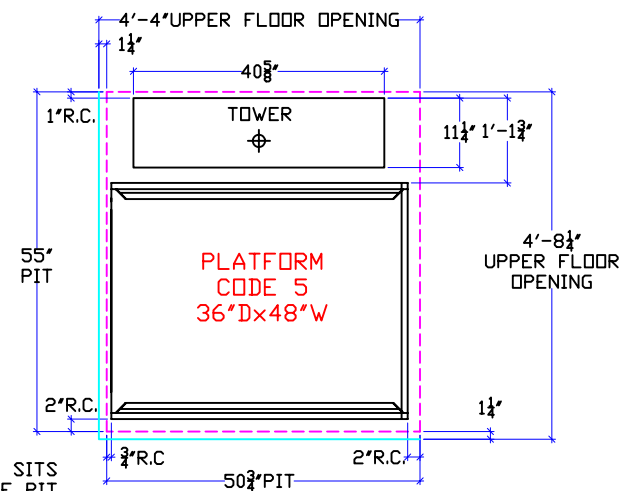
REMOTE CAR CONTROL LOCATED AT EACH LANDING

110v. DIS. SW. BY G.C. FIELD LOCATE TO MEET N.E.C. AND/OR LOCAL CODES.

UPPER LANDING GATE AND "B" TYPE ENCLOSURE BY INCOA

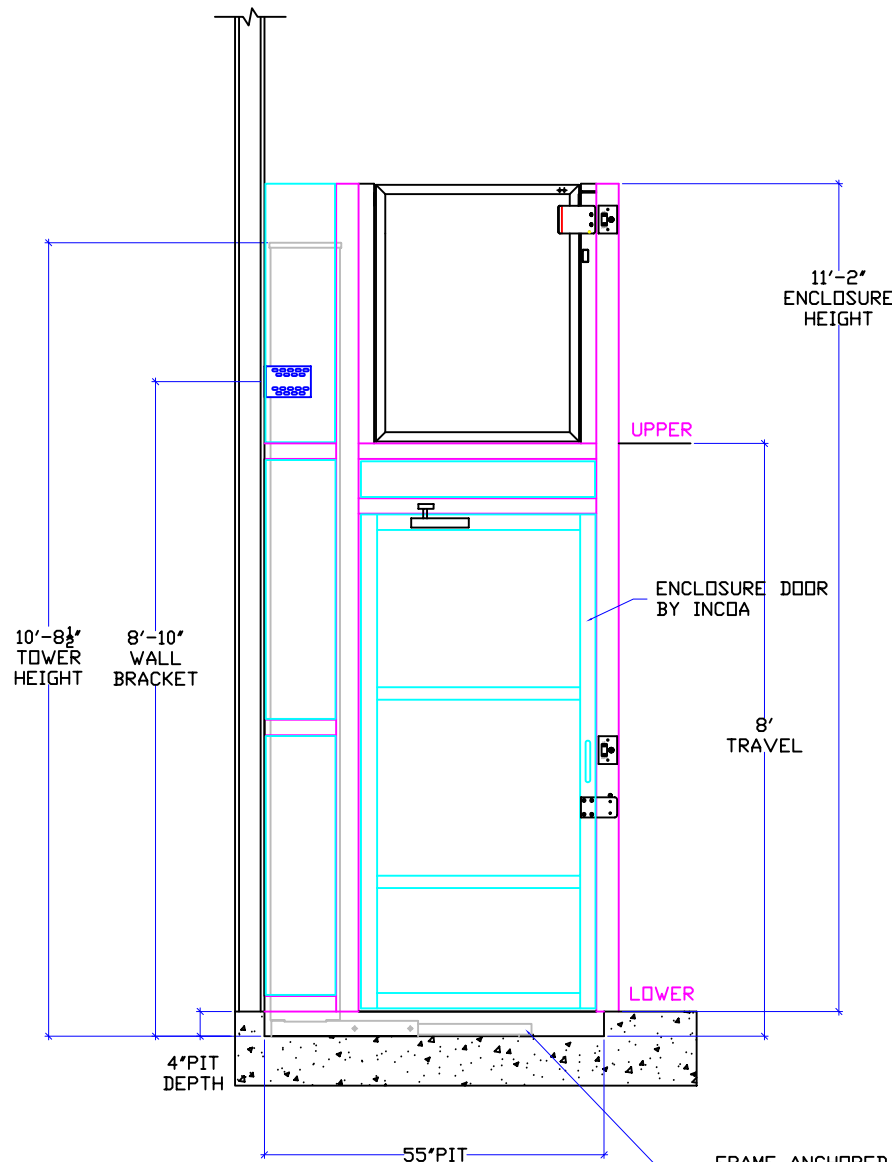


SHAFT PLAN

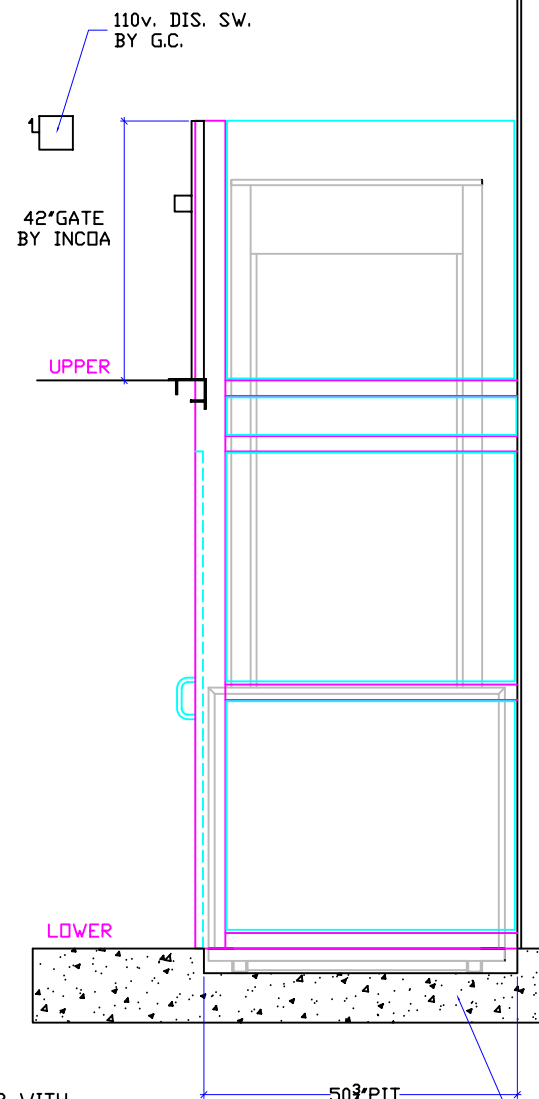


PLATFORM & TOWER FOOTPRINT

NOTE: ENCLOSURE SITS ON TOP OF PIT



SECTION A-A



SECTION B-B

FRAME ANCHORED TO PIT FLOOR WITH (4) 1/2" x 5-3/4" BOLT ANCHORS (SUPPLIED BY INCLINATOR).

PIT FLOOR: 6" MIN. 3000 psi REBAR REINFORCED CONCRETE, #4 @ 12" O.C. EACH WAY.