

SHOP DRAWING NAME

TYPICAL - VL  
PROJECT  
OPEN HOISTWAY

GENERAL CONTRACTOR

EQUIPMENT SUPPLIED BY:

TYPICAL

SPECIFICATIONS

2 LANDING  
VERTICAL LIFT  
L-72

CAR 38 1/4"Dx48"Wx42"H  
CODE(S) 4,5  
CAPACITY 750 LBS. AT 10 F.P.M.

- ALL DOORS MUST BE INTERLOCKED
- KEYSWITCH OPERATION
- AUTO FOLD RAMP
- STATIONARY RAMP
- LANDING GATE w/ INTERLOCK
- PLATFORM GATE WITH INTERLOCK
- EMERGENCY ALARM
- EMERGENCY STOP
- MANUAL LOWERING
- PLATFORM SAFETY MECHANISM
- INSTANT REVERSE
- LIMIT SWITCHES
- ENCLOSURE DOOR BY INCOA
- ENCLOSURE WALL BY INCOA
- DIAPHRAGM

NOTICE TO ELECTRICAL CONTRACTOR:  
INSTALL 110v. DIS. SW.  
TYPE OUTLET

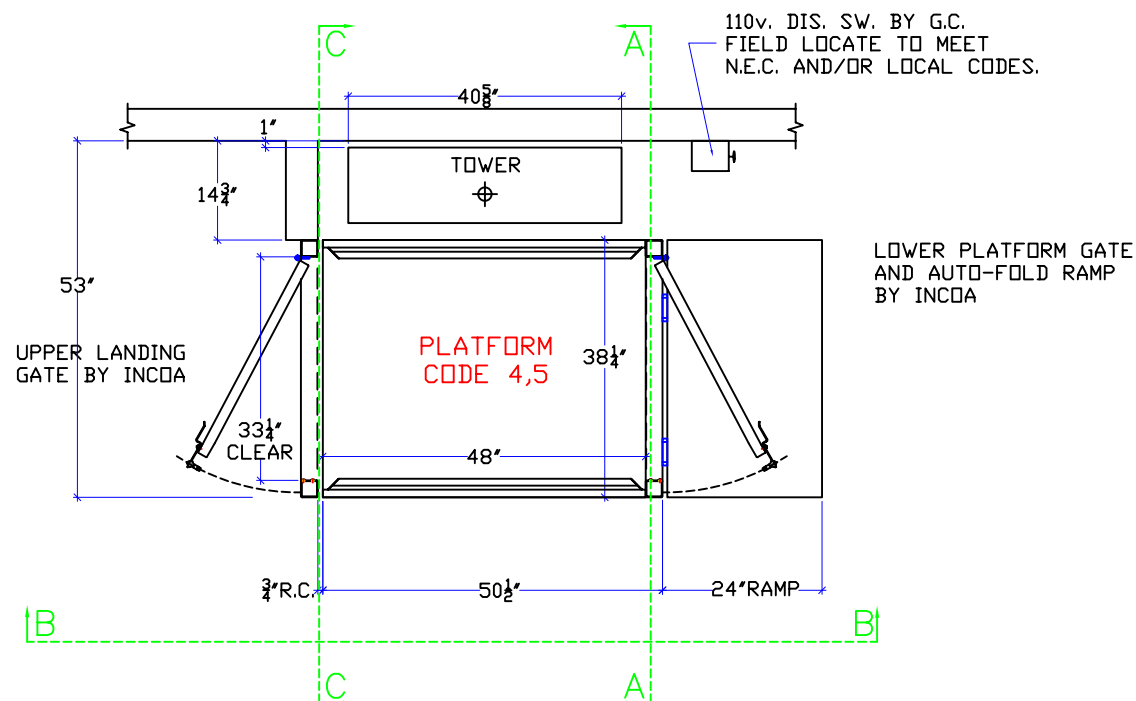
1 H.P. MOTOR 120v. SINGLE PHASE  
60 CYCLE  
20 AMP MAIN LINE FUSE

NOTE: ALL HOISTWAY CONSTRUCTION  
MUST COMPLY WITH NATIONAL,  
STATE, AND LOCAL CODES. PLEASE  
ADVISE INCOA OF ANY CHANGES  
NEEDED TO THE DRAWING FOR  
COMPLIANCE IN YOUR AREA.

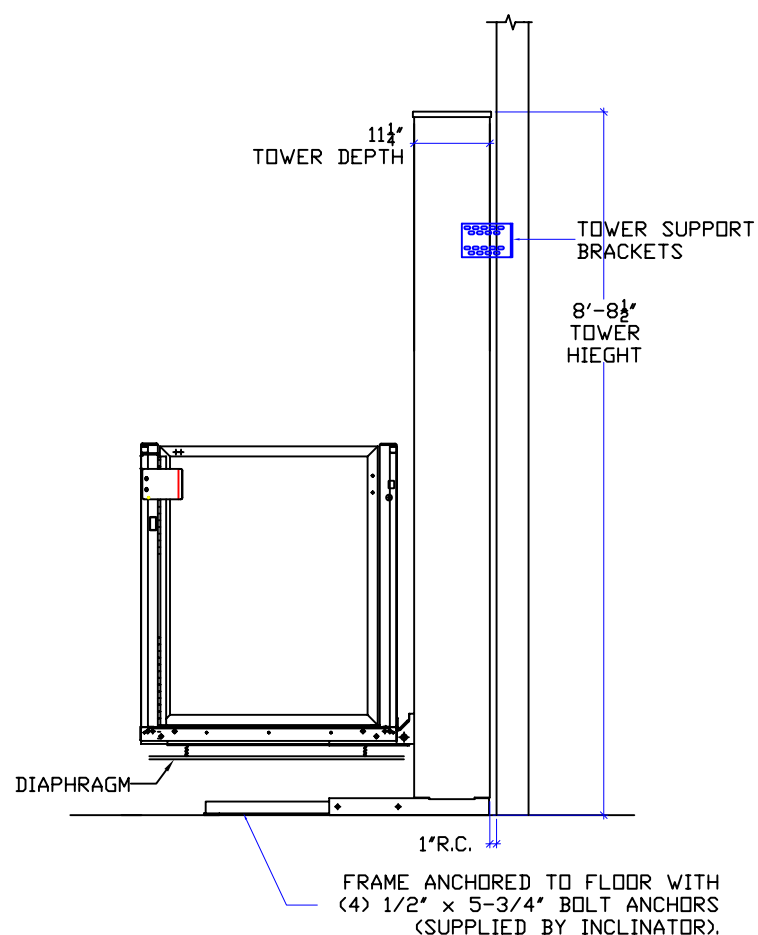
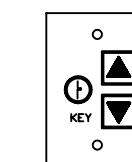
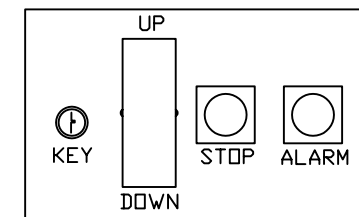
INCOA JOB #  
DEALER P.O. # -  
DRAWING BY: J.PETTYJOHN  
DATE: 02/21/2008

DRAWING IDENTIFICATION NUMBER

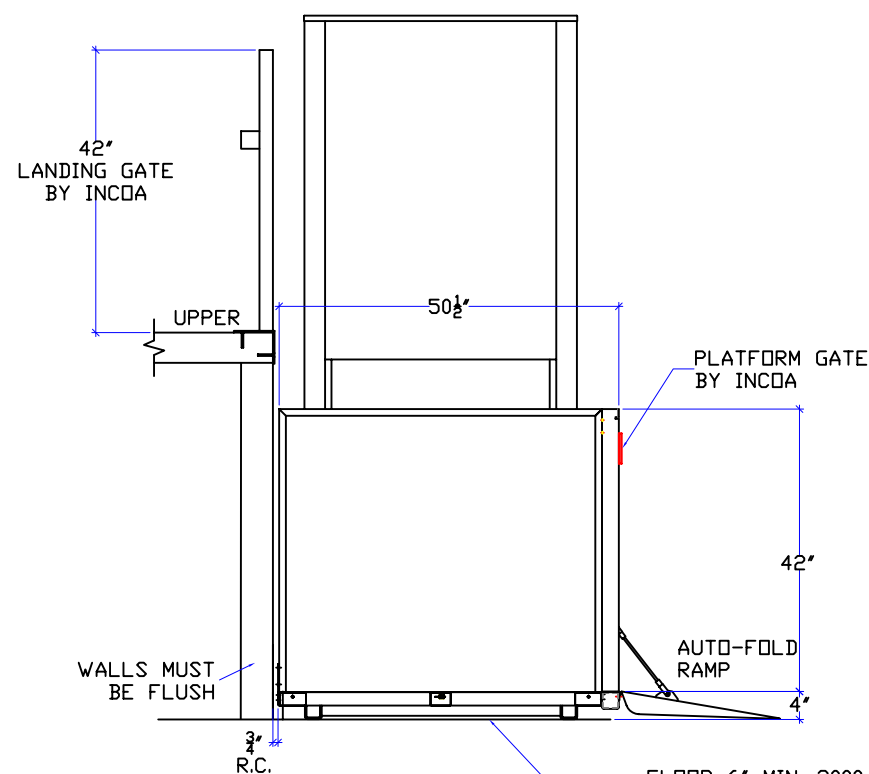
XXXX



SHAFT PLAN

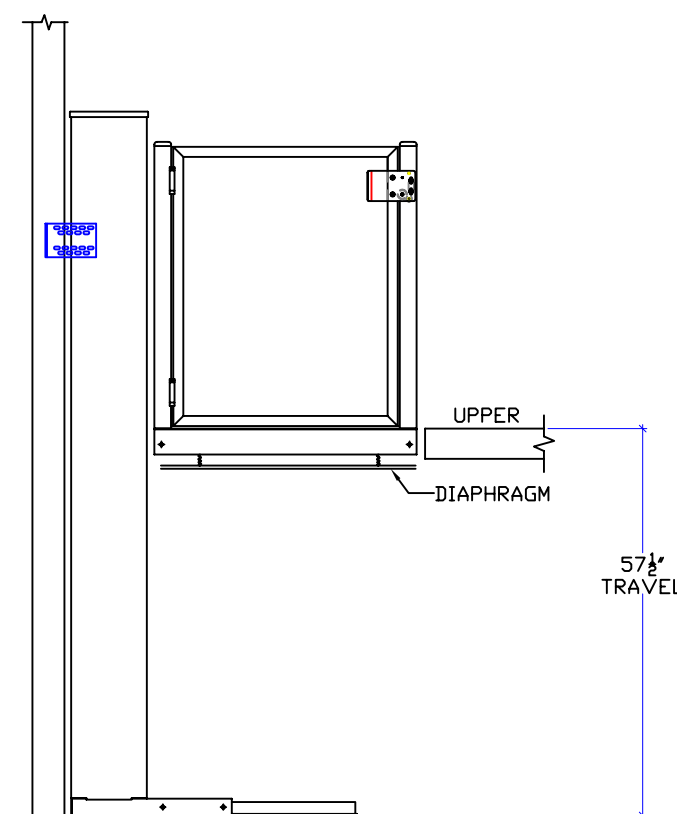


SECTION A-A  
LOWER LANDING



SECTION B-B

FLOOR 6" MIN. 3000psi CONCRETE  
FLOOR TO HAVE A SMOOTH TROWEL  
FINISH FREE OF HOLLOWES OR BUMPS.  
SURFACE TO BE LEVEL AND FLAT TO  
WITHIN ±1/8" IN ANY DIRECTION.



SECTION C-C  
UPPER LANDING